

Dscar Bunk

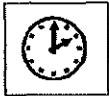
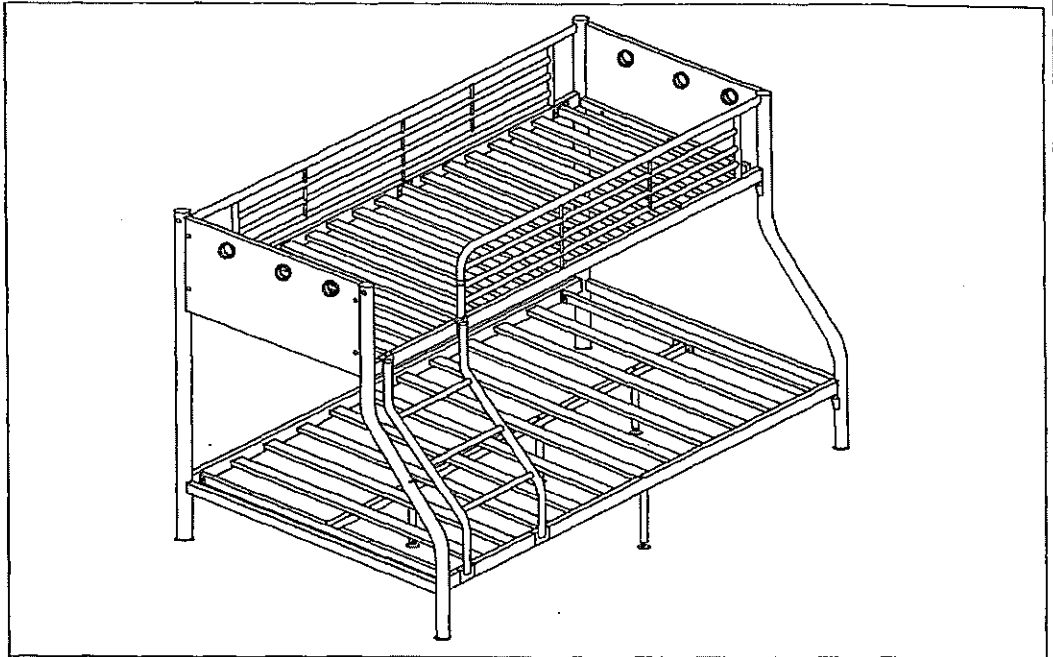
ASSEMBLY INSTRUCTIONS

1 / 7

MODEL : CK 9382

PRODUCT SIZE : 920mm x 1930mm (Base Internal Size)

Thank you for purchasing this product. Before starting assembly we suggest you spend a short time reading through this leaflet, then follow the simple step by step guide.
Two persons are needed to assemble this product.



* Approximately 75 min



* 2 People Required

*** IMPORTANT NOTE:** Children under the age of 12 should not use the upper bunks due the statistical chance of significant injury.

IMPORTANT INFORMATION

1. This bunk bed is suitable for a single mattress or foam bed 920mm x 1880mm. Thickness of mattress should not exceed 200mm.
2. Children should be discouraged from playing on this bunk bed.
3. The bunk bed should be checked periodically by the owner to ensure that the guardrail, ladder and other components are maintained in the correct position and state of repair and that all connectors are tight.
4. A bunk bed is not to be placed near a ceiling fan unless the distance between the closest points on the ceiling fan and bunk bed is at least 2 metres.
5. Use guardrails on both sides of upper bunk.
6. Prohibit horseplay on or under bed(s).
7. Prohibit more than one person on upper bunk.
8. Use ladder for entering and leaving upper bunk.
9. If the bunk bed will be placed next to the wall, the quadrail that runs the full length of the bed should be placed against the wall to prevent entrapment between the bed and the wall.

STRANGULATION HAZARD:

10. Never attach or hang items to any part of the bunk bed that are not designed for use with the bed for example, but not limited to hook, belt, and jump ropes.

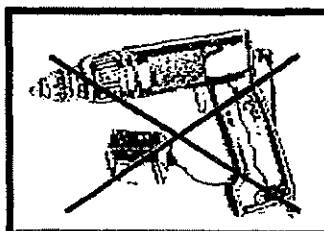
Tools Required For Assembly



Rubber Hammer



Philips Screw Driver



DO NOT USE POWER TOOLS TO ASSEMBLE THIS PRODUCT. USE OF POWER TOOLS WILL INVALIDATE ANY CLAIM AND MAY DAMAGE THIS PRODUCT MAKING IT UNSAFE.

PARTS LIST

2 7

Model No: CK 9382

Carton 1 of 2

No.	Part Name	Pcs
⑮	Side Panel	2
⑰	Wood Slat Base	10

Carton 2 of 2

①	Back Post (Left)	1
②	Back Post (Right)	1
③	Front Post (Left)	1
④	Front Post (Right)	1
⑤	Support Rail	2
⑥	Long Guardrail	1
⑦	Short Guardrail	1
⑧	Side Rail (Rear)	1
⑨	Side Rail (Front)	1
⑩	Support Rail	2
⑪	Center Support Rail	1
⑫	Center Legs	5
⑬	Ladder Side Rail	2
⑭	Ladder Step Rail	3
⑯	Support Rail	2
⑱	Wood Slat Base	10
⑲	Center Support Brace	1
⑳	Base Support	3

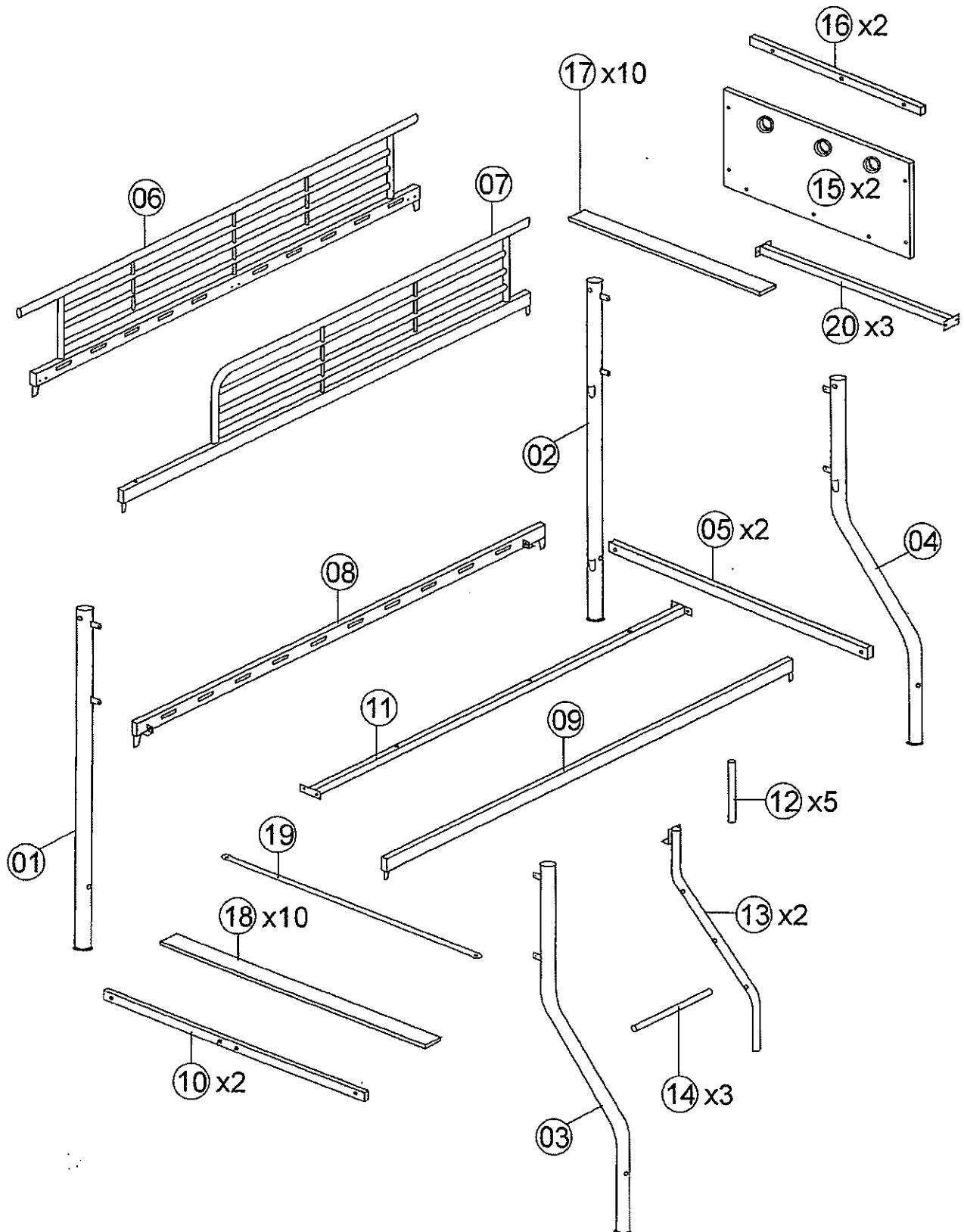
Fitting List

CARE AND MAINTENANCE
 Avoid sharp objects
 Wipe off with damp cloth
 Avoid excessive force

PARTS LIST

3
7

Model No: CK 9382












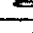







FITTING LIST

4
7

Model No: CK 9382

Carton 2 of 2

No.	Part Name	Pcs
(A)	M8 x 95mm Allen Bolt (Silver) 	4
(B)	M8 Round Nut 	4
(C)	M6 x 70mm Allen Bolt (Silver) 	7
(D)	M6 x 40mm Allen Bolt (Silver) 	3
(E)	M6 x 35mm Allen Bolt (Silver) 	6
(F)	M6 x 15mm Allen Bolt (Silver) 	4
(G)	M6 x 12mm Allen Bolt (Silver) 	34
(H)	M6 JCN Nut (Silver) 	12
(J)	1" Washer Stopper 	3
(K)	M6 Screw Stopper 	5
(L)	M6 x 30mm Allen Bolt (Silver) 	6
(M)	2" Top Stopper 	4
(N)	2" Bottom Stopper 	4
(P)	M6 Washer 	2
(Q)	M6 Allen Wrench 	2
(R)	Wire Cora Holder 12mm 	6
(S)	M8 Allen Wrench 	1

CAUTION

There are many small components used in the construction of this unit. These loose items should be kept away from young children whilst assembling your unit. As an extra precaution, screw cover caps should be permanently fixed in position. (Where applicable)

USEFUL HINTS & TIPS

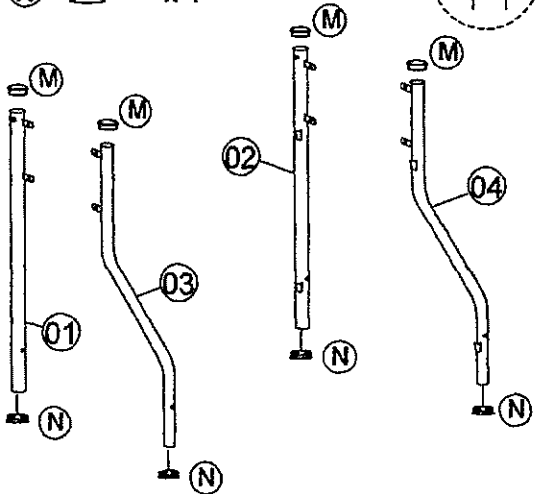
Two people will be required to assemble this unit

Please keep this assembly instruction for future reference

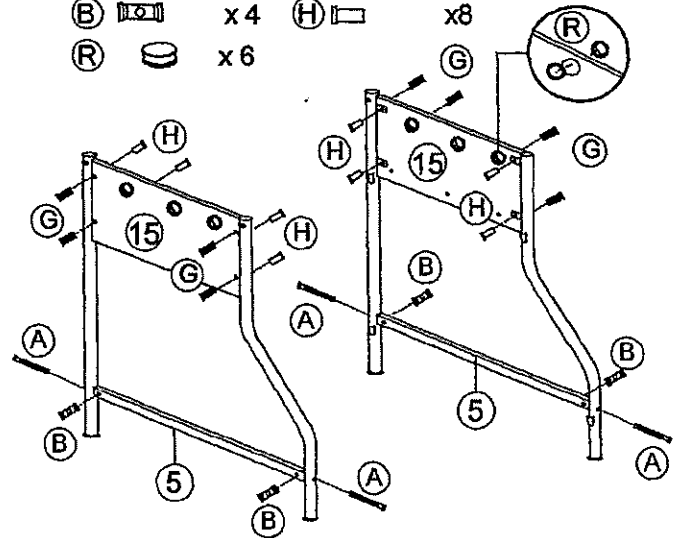
GUIDE TO ASSEMBLY

Model No: CK 9382

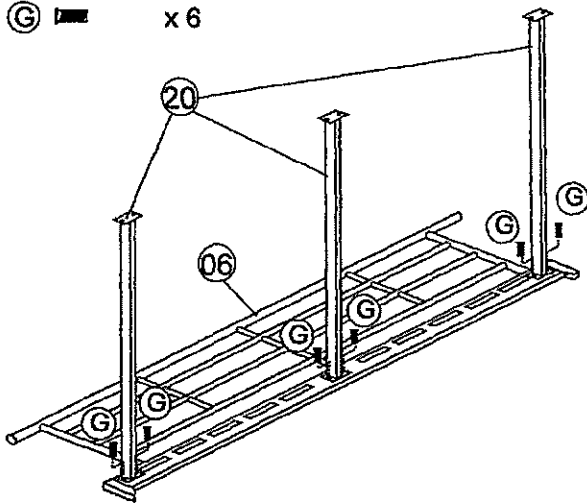
- 1** (M) x4
(N) x4



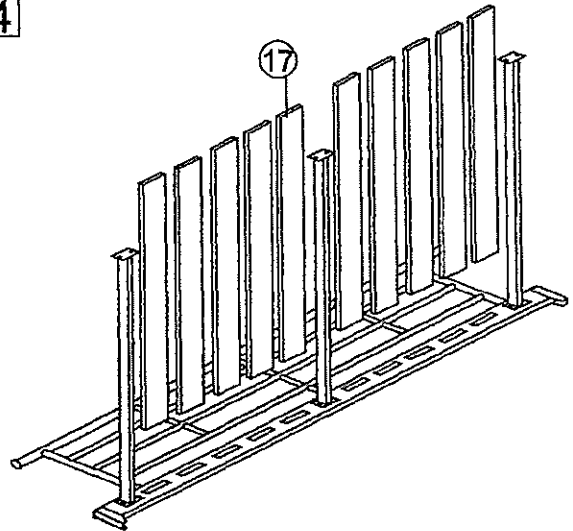
- 2** (A) x4 (G) x8
(B) x4 (H) x8
(R) x6



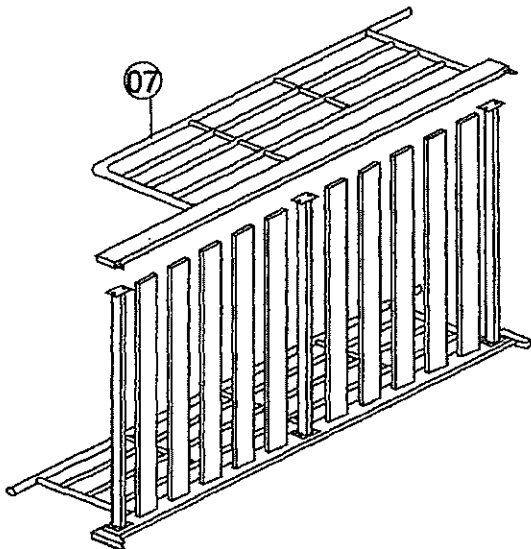
- 3** (G) x6



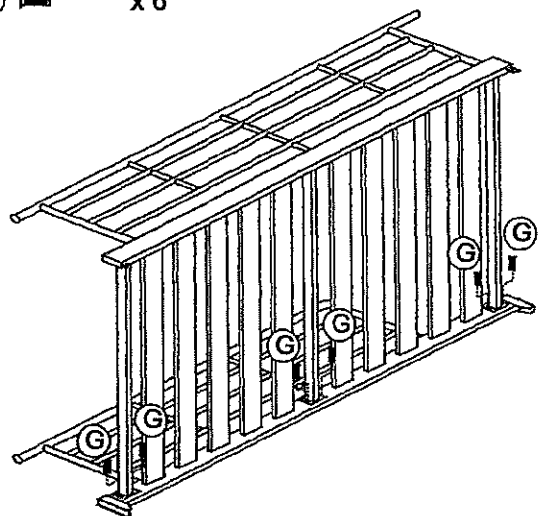
- 4**



- 5**



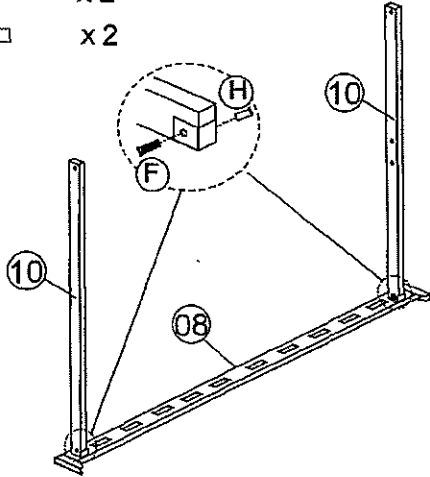
- 6** (G) x6



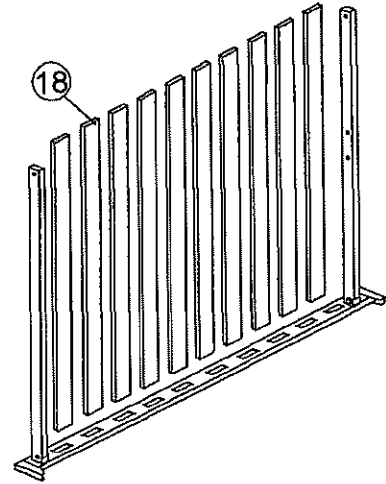
GUIDE TO ASSEMBLY



Model No: CK 9382

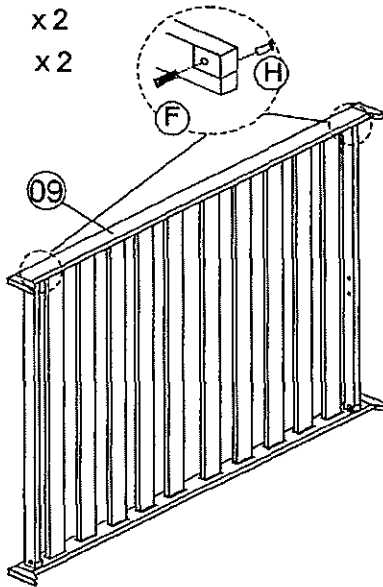
- 7**  x2
 x2



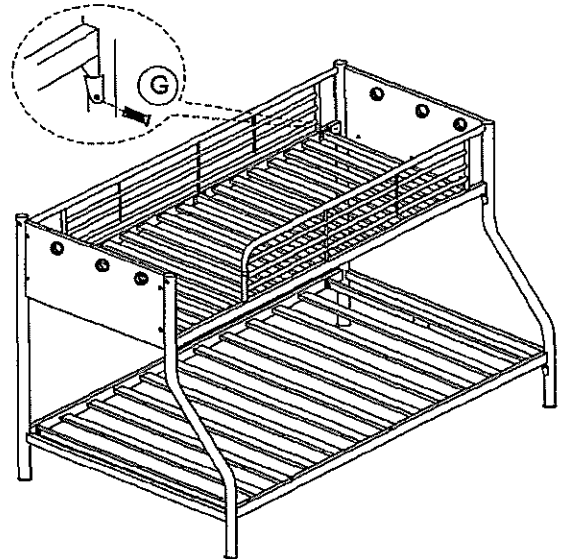
8



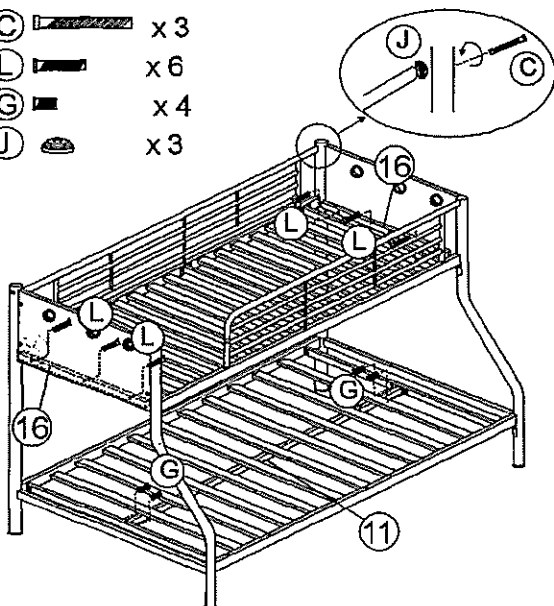
- 9**  x2
 x2






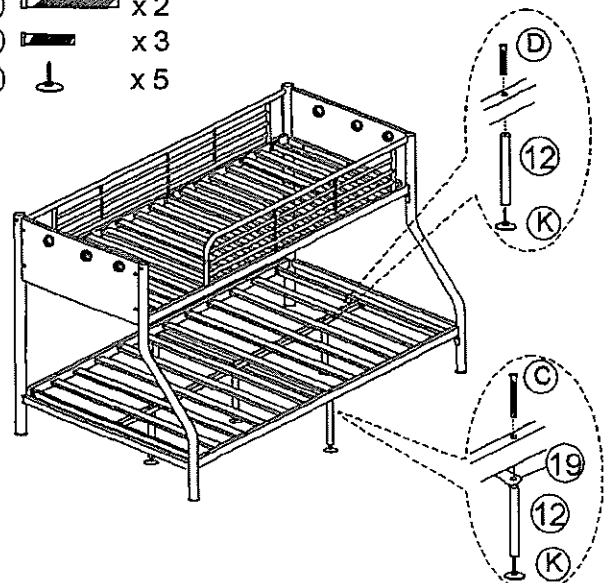
- 10**  x8



- 11**  x3
 x6
 x4
 x3






- 12**  x2
 x3
 x5



GUIDE TO ASSEMBLY

Model No: CK 9382

13 E  x6

14 G  x2 P  x2
C  x2

